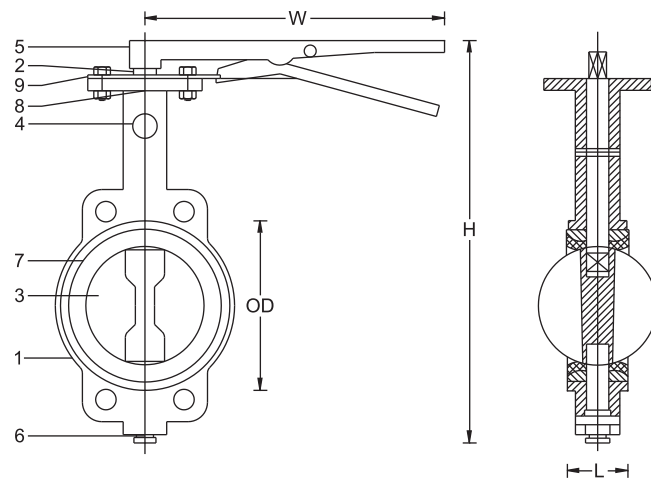


## PN 16 BUTTERFLY VALVE

STANDARDS	
DESIGN STANDARD	BS EN 558-1 (16)
END CONNECTION	BS EN 1092-2 PN16 / BS 4504 / DIN 2501
END TO END	API 594 / BS 5155 / ISO 5752 / DIN 3202
TESTING STANDARD	API 598

**Applications:** Regulation & Control of Oil and Gas, Hot and Cold Water, Fluids, Air, Steam, Raw and Sea Water



COMPONENT		SPECIFICATIONS	
1	BODY	CAST IRON (EN-GJL-250) / GG25	DUCTILE IRON (EN-GJS-400) / GGG40
2	STEM	STAINLESS STEEL 420 / EN 1.4021	
3	DISC	STAINLESS STEEL CF8 / CF8M	
4	O-RING	EPDM	
5	LEVER	DUCTILE IRON (EN-GJS-400) / GGG40	
6	BOTTOM STEM	STAINLESS STEEL 420 / EN 1.4021	
7	SEAL RUBBER	EPDM	
8	SPRING WASHER	CARBON STEEL	
9	END PLATE	CARBON STEEL	

Dimensions in mm

DN	50	65	80	100	125	150	200	250	300
L	43	46	46	52	56	56	60	68	78
H	241	264	276	314	340	365	435	495	579