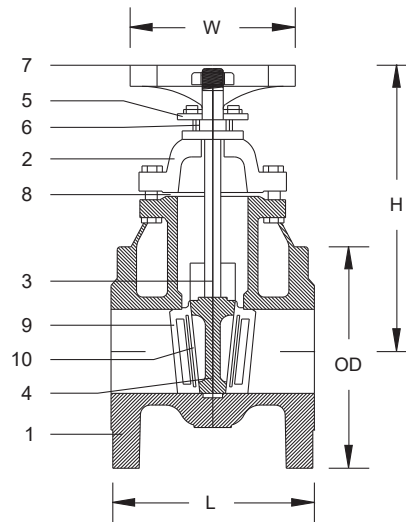


## PN 10/16 CAST IRON GATE VALVE

(Non-Rising stem) Inside Screw

STANDARDS	
DESIGN STANDARD	BS EN 558-1 (14)
END CONNECTION	BS EN 1092-2 PN 10/16 / DIN 2501 / BS 4504
END TO END	BS 3352 (1) / EN 1171
TESTING STANDARD	API 598

**Applications:** Regulation & Control of Oil and Gas, Hot and Cold Water, Fluids, Air, Steam, Raw and Sea Water



COMPONENT		SPECIFICATIONS
1	BODY	CAST IRON (EN-GJL-250) / GG25
2	BONNET	CAST IRON (EN-GJL-250) / GG25
3	STEM	STAINLESS STEEL 420 / EN 1.4021   BRONZE
4	DISC	For < 8" STAINLESS STEEL 420 / EN 1.4021 For > 8" CAST IRON (EN-GJL-250) / GG25
5	GLAND	CAST IRON / CARBON STEEL
6	GLAND PACKING	FLEXIBLE GRAPHITE
7	HAND WHEEL	CAST IRON / CARBON STEEL
8	GASKET	NON ASBESTOS SHEET
9	BODY SEAT RING	STAINLESS STEEL 420 / EN 1.4021   BRONZE
10	DISC SEAT RING	STAINLESS STEEL 420 / EN 1.4021   BRONZE

Dimensions in mm

DN	40	50	65	80	100	125	150	200	250	300
L	140	150	170	180	190	200	210	230	250	270
OD PN 10	150	165	185	200	220	250	285	340	395	445
OD PN 16	150	165	185	200	220	250	285	340	405	460
H	250	290	325	360	400	480	530	575	695	760
W	150	150	175	175	200	200	225	225	250	300