

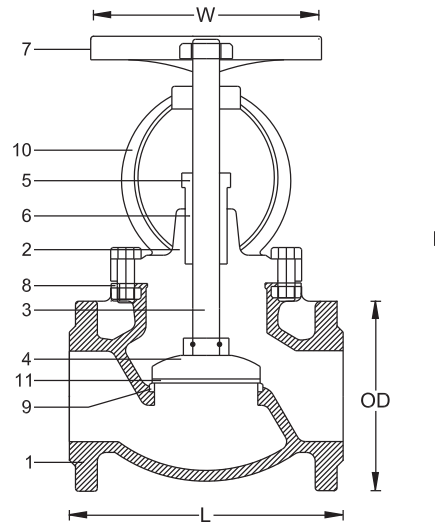


# CLASS 300 DUCTILE IRON GLOBE VALVE

Outside Screw & Yoke

| STANDARDS        |                       |
|------------------|-----------------------|
| DESIGN STANDARD  | ANSI B16.10           |
| END CONNECTION   | ANSI B16.5, Class 300 |
| END TO END       | ANSI B16.10           |
| TESTING STANDARD | API 598               |

**Applications:** Regulation & Control of Oil and Gas, Hot and Cold Water, Fluids, Air, Steam, Raw and Sea Water



| COMPONENT | SPECIFICATIONS                                    |
|-----------|---|
| 1         | BODY<br>FCD – S / ASTM A395                       |
| 2         | BONNET<br>FCD – S / ASTM A395                     |
| 3         | STEM<br>STAINLESS STEEL 420 / EN 1.4021           |
| 4         | DISC<br>FCD – S / ASTM A395                       |
| 5         | GLAND<br>FCD – S / ASTM A395                      |
| 6         | GLAND PACKING<br>FLEXIBLE GRAPHITE                |
| 7         | HAND WHEEL<br>FCD – S / ASTM A395                 |
| 8         | GASKET<br>GRAPHITE                                |
| 9         | BODY SEAT RING<br>SUS 403 / ASTM A276             |
| 10        | YOKE<br>FCD – S / ASTM A395                       |
| 11        | DISC SEAT RING<br>STAINLESS STEEL 420 / EN 1.4021 |

Dimensions in mm

|    |     |     |     |     |     |     |     |
|----|-----|-----|-----|-----|-----|-----|-----|
| DN | 50  | 65  | 80  | 100 | 125 | 150 | 200 |
| L  | 267 | 292 | 318 | 356 | 400 | 444 | 533 |
| OD | 165 | 191 | 210 | 254 | 289 | 318 | 381 |
| H  | 320 | 350 | 380 | 430 | 480 | 560 | 680 |
| W  | 200 | 200 | 250 | 250 | 350 | 400 | 500 |