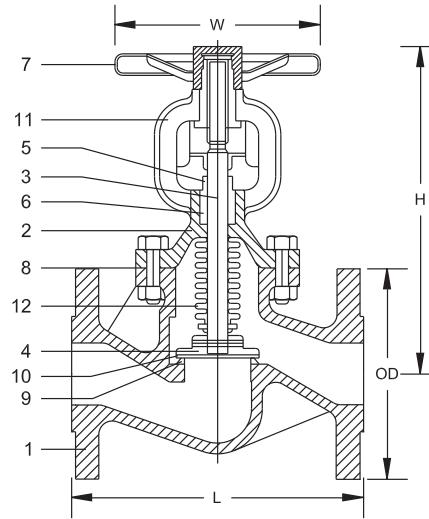


PN 40 CAST CARBON STEEL GLOBE VALVE

(Bellow Sealed)

STANDARDS	
DESIGN STANDARD	BS EN 558-1 (1)
END CONNECTION	BS EN 1092-2 PN 40 / DIN 2501 / BS 4504
END TO END	DIN 3202(1) / BS 5152 / DIN 3352 / EN 13789
TESTING STANDARD	API 598

Applications: Regulation & Control of Oil and Gas, Hot and Cold Water, Fluids, Air, Steam, Raw and Sea Water



COMPONENT	SPECIFICATIONS
1 BODY	ASTM A216 Gr. WCB
2 BONNET	ASTM A216 Gr. WCB
3 STEM	STAINLESS STEEL 420 / EN 1.4021
4 DISC	ASTM A216 Gr. WCB
5 GLAND	ASTM A216 Gr. WCB
6 GLAND PACKING	FLEXIBLE GRAPHITE
7 HAND WHEEL	ASTM A216 Gr. WCB
8 GASKET	GRAPHITE
9 BODY SEAT RING	STAINLESS STEEL 420 / EN 1.4021
10 YOKE	ASTM A216 Gr. WCB
11 DISC SEAT RING	STAINLESS STEEL 420 / EN 1.4021
12 BELLOW	STAINLESS STEEL CF8 / CF8M

Dimensions in mm

DN	15	20	25	32	40	50	65	80	100	125	150	200	250	300
L	130	150	160	180	200	230	290	310	350	400	480	600	730	850
OD	95	105	115	140	150	165	180	200	235	270	300	375	450	515
H	200	200	210	210	225	230	245	265	365	395	430	550	720	775
W	125	125	125	125	150	150	175	225	300	300	400	520	520	520