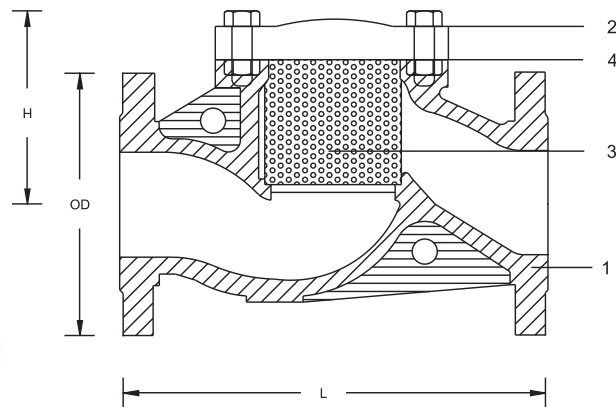


## PN 40 CAST CARBON Steel STRAINER VALVE

(Basket - Type)

STANDARDS	
DESIGN STANDARD	BS EN 558-1 (1)
END CONNECTION	BS EN 1092-2 PN40 / BS 4504 / DIN 2501
END TO END	DIN 3202(1) / EN 13789 / BS 7350 / DIN 3352
TESTING STANDARD	API 598

**Applications:** Regulation & Control of Oil and Gas, Hot and Cold Water, Fluids, Air, Steam, Raw and Sea Water



COMPONENT		SPECIFICATIONS
1	BODY	ASTM A216 Gr. WCB
2	COVER	ASTM A216 Gr. WCB
3	SCREEN	STAINLESS STEEL 304
4	GASKET	GRAPHITE

Dimensions in mm

DN	15	20	25	32	40	50	65	80	100	125	150	200	250	300
L	130	150	160	180	200	230	290	310	350	400	480	600	730	850
OD	95	105	115	140	150	165	180	200	235	270	300	375	450	515
H	90	90	95	110	120	125	140	155	175	195	215	250	300	370