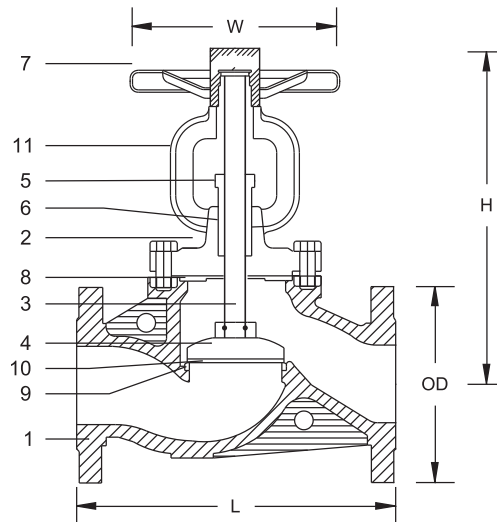


PN 40 CAST CARBON STEEL GLOBE VALVE

Outside Screw & Yoke

STANDARDS	
DESIGN STANDARD	BS EN 558-1 (1)
END CONNECTION	BS EN 1092-2 PN 40 / DIN 2501 / BS 4504
END TO END	DIN 3202(1) / BS 5152 / DIN 3352 / EN 13789
TESTING STANDARD	API 598

Applications: Regulation & Control of Oil and Gas, Hot and Cold Water, Fluids, Air, Steam, Raw and Sea Water



COMPONENT		SPECIFICATIONS
1	BODY	ASTM A216 Gr. WCB
2	BONNET	ASTM A216 Gr. WCB
3	STEM	STAINLESS STEEL 420 / EN 1.4021
4	DISC	For < 2" STAINLESS STEEL 420 / EN 1.4021 For > 2" ASTM A216 Gr. WCB
5	GLAND	ASTM A216 Gr. WCB
6	GLAND PACKING	FLEXIBLE GRAPHITE
7	HAND WHEEL	ASTM A216 Gr. WCB
8	GASKET	GRAPHITE
9	BODY SEAT RING	STAINLESS STEEL 420 / EN 1.4021
10	DISC SEAT RING	STAINLESS STEEL 420 / EN 1.4021
11	YOKE	ASTM A216 Gr. WCB

Dimensions in mm

DN	15	20	25	32	40	50	65	80	100	125	150	200	250	300
L	130	150	160	180	200	230	290	310	350	400	480	600	730	850
OD	95	105	115	140	150	165	180	200	235	270	300	375	450	515
H	205	205	217	217	243	243	263	287	383	416	450	622	763	890
W	102	102	130	130	145	145	205	205	230	230	290	380	490	490