

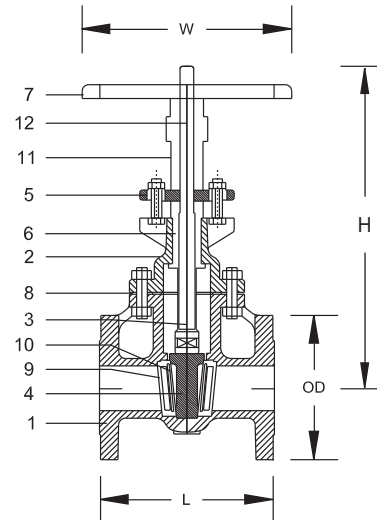


## PN 25 DUCTILE IRON GATE VALVE

(Rising stem) Outside Screw & Yoke

STANDARDS	
DESIGN STANDARD	BS EN 558-1 (3)
END CONNECTION	BS EN 1092-2 PN 25 / DIN 2501 / BS 4504
END TO END	BS 5150 / EN 1171 / BS 5163 / MSS SP 70
TESTING STANDARD	API 598

**Applications:** Regulation & Control of Oil and Gas, Hot and Cold Water, Fluids, Air, Steam, Raw and Sea Water



COMPONENT	SPECIFICATIONS
1 BODY	DUCTILE IRON (EN-GJS-400) / GGG40
2 BONNET	DUCTILE IRON (EN-GJS-400) / GGG40
3 STEM	STAINLESS STEEL 420 / EN 1.4021
4 DISC	For < 8" STAINLESS STEEL 420 / EN 1.4021 For > 8" DUCTILE IRON (EN-GJS-400) / GGG40
5 GLAND	DUCTILE IRON (EN-GJS-400) / GGG40
6 GLAND PACKING	FLEXIBLE GRAPHITE
7 HAND WHEEL	DUCTILE IRON (EN-GJS-400) / GGG40
8 GASKET	NON ASBESTOS SHEET
9 BODY SEAT RING	STAINLESS STEEL 420 / EN 1.4021
10 DISC SEAT RING	STAINLESS STEEL 420 / EN 1.4021
11 YOKE	DUCTILE IRON (EN-GJS-400) / GGG40
12 YOKE SLEEVE	CAST BRASS

Dimensions in mm

DN	40	50	65	80	100	125	150	200	250	300
L	165	178	190	203	229	254	267	292	330	356
OD	150	165	185	200	235	270	300	360	425	485
H	270	320	360	400	470	530	650	800	960	1150
W	200	200	200	230	250	250	290	290	400	480