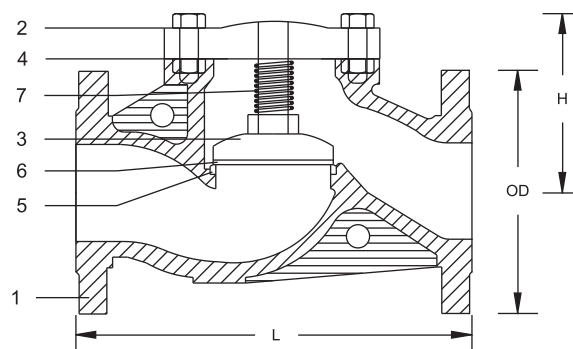


## PN 25 DUCTILE IRON CHECK VALVE

(Lift Type)

STANDARDS	
DESIGN STANDARD	BS EN 558-1 (1)
END CONNECTION	BS EN 1092-2 PN 25 / BS 4504 / DIN 2501
END TO END	DIN 3352 / DIN 3202(1) / BS 5152
TESTING STANDARD	API 598

**Applications:** Regulation & Control of Oil and Gas, Hot and Cold Water, Fluids, Air, Steam, Raw and Sea Water



COMPONENT		SPECIFICATIONS
1	BODY	DUCTILE IRON (EN-GJS-400) / GGG40
2	COVER	DUCTILE IRON (EN-GJS-400) / GGG40
3	DISC	DUCTILE IRON (EN-GJS-400) / GGG40
4	GASKET	NON ASBESTOS SHEET
5	BODY SEAT RING	STAINLESS STEEL 420 / EN 1.4021
6	DISC SEAT RING	STAINLESS STEEL 420 / EN 1.4021
7	SPRING	STAINLESS STEEL 304

Dimensions in mm

DN	15	20	25	32	40	50	65	80	100	125	150	200	250	300
L	130	150	160	180	200	230	290	310	350	400	480	600	730	850
OD	95	105	115	140	150	165	180	200	235	270	300	360	425	485
H	90	90	95	110	120	125	140	155	175	195	215	250	300	370