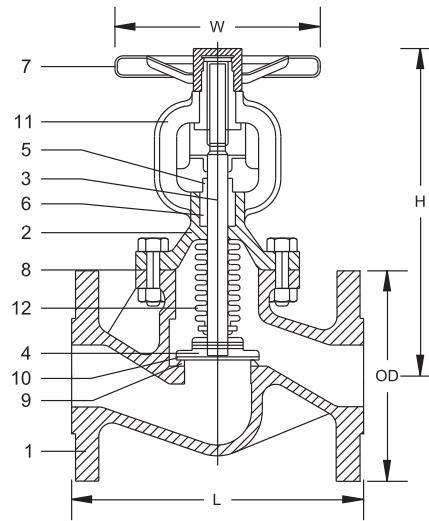


PN 16 GLOBE VALVE

(Bellows Sealed)

| STANDARDS | |
|------------------|---|
| DESIGN STANDARD | BS EN 558-1 (1) |
| END CONNECTION | BS EN 1092-2 PN 16 / DIN 2501 / BS 4504 |
| END TO END | DIN 3202(1) / BS 5152 / DIN 3352 / EN 13789 |
| TESTING STANDARD | API 598 |

Applications: Regulation & Control of Oil and Gas, Hot and Cold Water, Fluids, Air, Steam, Raw and Sea Water



| COMPONENT | SPECIFICATIONS | | |
|-----------|----------------|---------------------------------|-----------------------------------|
| 1 | BODY | CAST IRON (EN-GJL-250) / GG25 | DUCTILE IRON (EN-GJS-400) / GGG40 |
| 2 | BONNET | CAST IRON (EN-GJL-250) / GG25 | DUCTILE IRON (EN-GJS-400) / GGG40 |
| 3 | STEM | STAINLESS STEEL 420 / EN 1.4021 | STAINLESS STEEL 420 / EN 1.4021 |
| 4 | DISC | ASTM A216 Gr. WCB | ASTM A216 Gr. WCB |
| 5 | GLAND | CAST IRON (EN-GJL-250) / GG25 | DUCTILE IRON (EN-GJS-400) / GGG40 |
| 6 | GLAND PACKING | FLEXIBLE GRAPHITE | FLEXIBLE GRAPHITE |
| 7 | HAND WHEEL | CAST IRON (EN-GJL-250) / GG25 | DUCTILE IRON (EN-GJS-400) / GGG40 |
| 8 | GASKET | GRAPHITE | GRAPHITE |
| 9 | BODY SEAT RING | STAINLESS STEEL 420 / EN 1.4021 | STAINLESS STEEL 420 / EN 1.4021 |
| 10 | DISC SEAT RING | STAINLESS STEEL 420 / EN 1.4021 | STAINLESS STEEL 420 / EN 1.4021 |
| 11 | YOKE | CAST IRON (EN-GJL-250) / GG25 | DUCTILE IRON (EN-GJS-400) / GGG40 |
| 12 | BELLOW | STAINLESS STEEL CF8 / CF8M | STAINLESS STEEL CF8 / CF8M |

Dimensions in mm

| DN | 15 | 20 | 25 | 32 | 40 | 50 | 65 | 80 | 100 | 125 | 150 | 200 | 250 | 300 |
|----|-----|-----|-----|-----|-----|-----|-----|-----|-----|-----|-----|-----|-----|-----|
| L | 130 | 150 | 160 | 180 | 200 | 230 | 290 | 310 | 350 | 400 | 480 | 600 | 730 | 850 |
| OD | 95 | 105 | 115 | 140 | 150 | 165 | 185 | 200 | 220 | 250 | 285 | 340 | 405 | 460 |
| H | 205 | 205 | 210 | 210 | 225 | 230 | 245 | 265 | 365 | 395 | 430 | 550 | 720 | 775 |
| W | 102 | 125 | 125 | 125 | 150 | 150 | 175 | 175 | 225 | 300 | 400 | 520 | 520 | 520 |