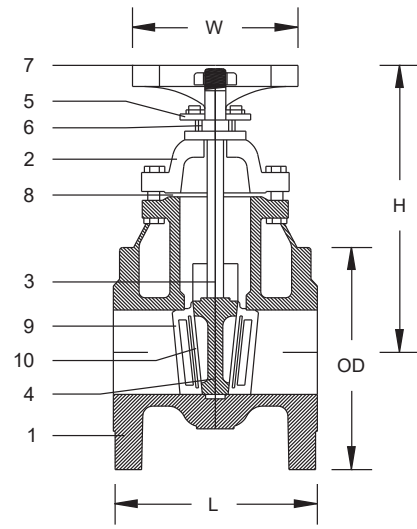


PN 16 DUCTILE IRON GATE VALVE

(Non-Rising stem) Inside Screw

STANDARDS	
DESIGN STANDARD	BS EN 558-1 (14)
END CONNECTION	BS EN 1092-2 PN 16 / DIN 2501 / BS 4504
END TO END	BS 5150 / EN 1171 / BS 5163 / MSS SP 70
TESTING STANDARD	API 598

Applications: Regulation & Control of Oil and Gas, Hot and Cold Water, Fluids, Air, Steam, Raw and Sea Water



COMPONENT	SPECIFICATIONS
1	BODY DUCTILE IRON (EN-GJS-400) / GGG40
2	BONNET DUCTILE IRON (EN-GJS-400) / GGG40
3	STEM STAINLESS STEEL 420 / EN 1.4021
4	DISC For < 8" STAINLESS STEEL 420 / EN 1.4021 For > 8" DUCTILE IRON (EN-GJS-400) / GGG40
5	GLAND DUCTILE IRON (EN-GJS-400) / GGG40
6	GLAND PACKING FLEXIBLE GRAPHITE
7	HAND WHEEL DUCTILE IRON (EN-GJS-400) / GGG40
8	GASKET NON ASBESTOS SHEET
9	BODY SEAT RING STAINLESS STEEL 420 / EN 1.4021
10	DISC SEAT RING STAINLESS STEEL 420 / EN 1.4021

Dimensions in mm

DN	40	50	65	80	100	125	150	200	250	300	350	400	450	500	600	700
L	165	178	190	203	229	254	267	292	330	356	381	406	432	457	508	610
OD	150	165	185	200	220	250	285	340	405	460	520	580	640	715	840	910
H	250	290	325	360	400	480	530	575	700	765	950	1080	1165	1280	1495	1650
W	150	150	175	175	200	200	225	225	250	300	600	600	800	800	800	1000