

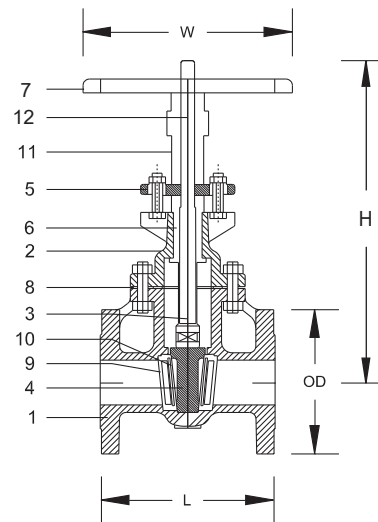


## PN 16 CAST IRON GATE VALVE

(Rising stem) Outside Screw & Yoke

STANDARDS	
DESIGN STANDARD	BS EN 558-1 (3)
END CONNECTION	BS EN 1092-2 PN 16 / DIN 2501 / BS 4504
END TO END	BS 5150 / EN 1171 / BS 5163 / MSS SP 70
TESTING STANDARD	API 598

**Applications:** Regulation & Control of Oil and Gas, Hot and Cold Water, Fluids, Air, Steam, Raw and Sea Water



COMPONENT		SPECIFICATIONS	
1	BODY	CAST IRON (EN-GJL-250) / GG25	
2	BONNET	CAST IRON (EN-GJL-250) / GG25	
3	STEM	STAINLESS STEEL 420 / EN 1.4021	BRONZE
4	DISC	For < 8" STAINLESS STEEL 420 / EN 1.4021 For > 8" CAST IRON (EN-GJL-250) / GG25	
5	GLAND	CAST IRON / CARBON STEEL	
6	GLAND PACKING	FLEXIBLE GRAPHITE	
7	HAND WHEEL	CAST IRON / CARBON STEEL	
8	GASKET	NON ASBESTOS SHEET	
9	BODY SEAT RING	STAINLESS STEEL 420 / EN 1.4021	BRONZE
10	DISC SEAT RING	STAINLESS STEEL 420 / EN 1.4021	BRONZE
11	YOKE	CAST IRON (EN-GJL-250) / GG25	
12	YOKE SLEEVE	CAST BRASS	

Dimensions in mm

DN	40	50	65	80	100	125	150	200	250	300	350	400	450	500	600	700
L	165	178	190	203	229	254	267	292	330	356	381	406	432	457	508	610
OD	150	165	185	200	220	250	285	340	405	460	520	580	640	715	840	910
H	270	320	360	400	470	530	650	800	960	1150	1310	1500	1600	1770	2100	2600
W	200	200	200	230	250	250	290	290	400	480	480	600	600	600	700	1000