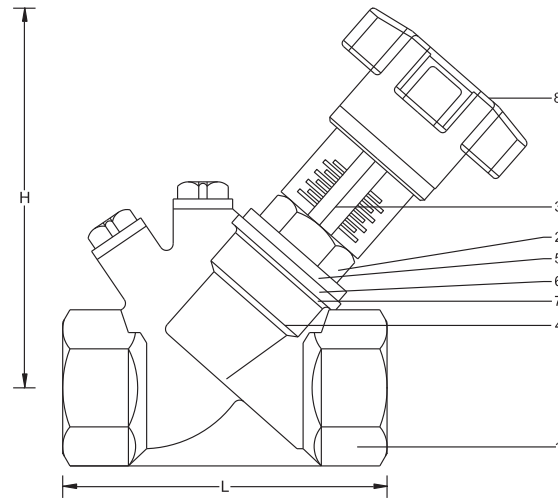


# PN 16 BALANCING VALVE

(THREADED END)

| STANDARDS        |            |
|------------------|------------|
| DESIGN STANDARD  | EN 12288-1 |
| END TO END       | EN 10226-1 |
| TESTING STANDARD | API 598    |

**Applications:** Regulation & Control of Oil and Gas, Hot and Cold Water, Fluids, Air, Steam, Raw and Sea Water



| COMPONENT |               | SPECIFICATIONS                    |              |              |
|-----------|---------------|-----------------------------------|--------------|--------------|
|           | MATERIALS     | DUCTILE IRON                      | BRASS        | BRONZE       |
| 1         | BODY          | DUCTILE IRON (EN-GJS-400) / GGG40 | BRASS C38500 | BRASS C83600 |
| 2         | BONNET        | DUCTILE IRON (EN-GJS-400) / GGG40 | BRASS C38500 | BRASS C83600 |
| 3         | STEM          | BRONZE C83600                     | BRASS C38500 | BRASS C83600 |
| 4         | DISC          | BRONZE C83600                     | BRASS C38500 | BRASS C83600 |
| 5         | GLAND         | BRONZE C83600                     | BRASS C38500 | BRASS C83600 |
| 6         | GLAND PACKING | PTFE TEFLON                       | PTFE TEFLON  | PTFE TEFLON  |
| 7         | GASKET        | PTFE TEFLON                       | PTFE TEFLON  | PTFE TEFLON  |
| 8         | HANDWHEEL     | PVC                               | PVC          | PVC          |

Dimensions in mm

|    |     |     |     |     |     |     |     |
|----|-----|-----|-----|-----|-----|-----|-----|
| DN | 15  | 20  | 25  | 32  | 40  | 50  | 65  |
| L  | 80  | 84  | 98  | 110 | 120 | 150 | 180 |
| H  | 114 | 116 | 119 | 136 | 138 | 148 | 160 |