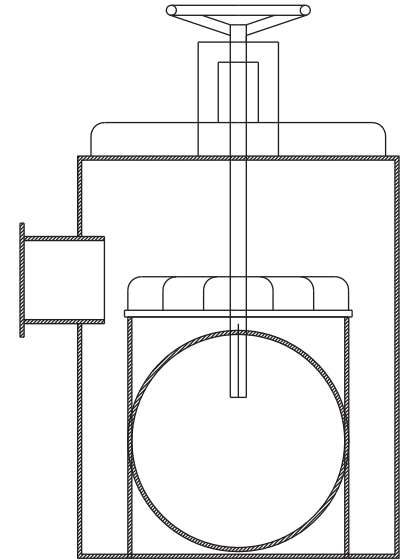
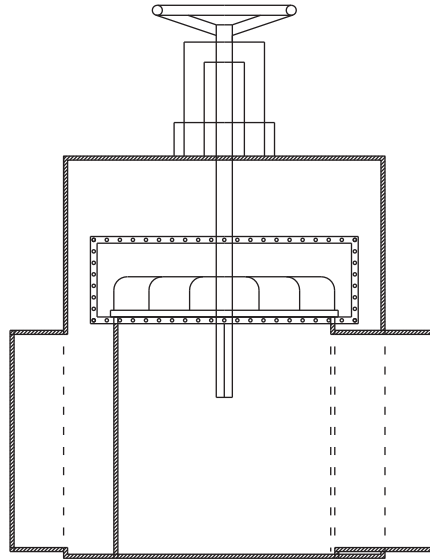




## FABRICATED GLOBE VALVE

**Applications:** Regulation & Control of Oil and Gas, Hot and Cold Water, Fluids, Air, Steam, Raw and Sea Water



COMPONENT		SPECIFICATIONS		
1	BODY	ASTM A36 STEEL		
2	FLANGE	ASTM A36 STEEL		
3	SEAT RING	EPDM	STAINLESS STEEL	BRASS
4	BODY RING	STAINLESS STEEL		BRASS
5	RING	ASTM A36 STEEL		
6	SEAT HOLDER	ASTM A36 STEEL		
7	SPINDLE	S.S / M.S		
8	LOCK	ASTM A36 STEEL		
9	LOCK PLATE	ASTM A36 STEEL		
10	COTTOR	ASTM A36 STEEL		
11	GUIDE BUSH	ASTM A36 STEEL		
12	TOP COVER	ASTM A36 STEEL		
13	GLAND BOX	ASTM A36 STEEL		
14	GLAND	ASTM A36 STEEL		
15	BUSH	BRASS		
16	LOCK NUT	ASTM A36 STEEL		

Sizes: DN.600-1800 (mm)