



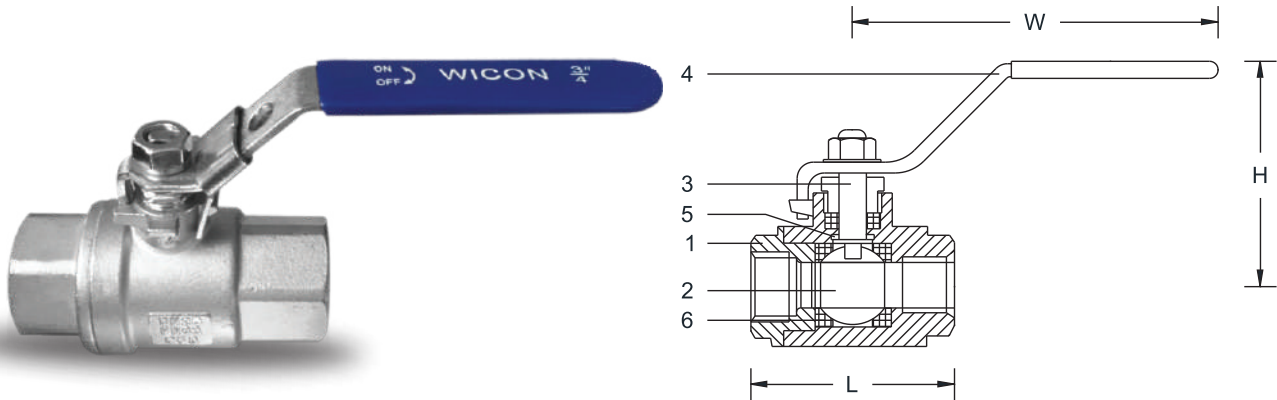
## 2 PIECE THREADED BALL VALVE

1000 PSI / PN 63

Full Bore

STANDARDS	
THREAD STANDARD	ASME B 1.20.1
END TO END	DIN 3202

**Applications:** Regulation & Control of Oil and Gas, Hot and Cold Water, Fluids, Air, Steam, Raw and Sea Water



COMPONENT		SPECIFICATIONS
1	BODY	CF8 / CF8M
2	BALL	CF8 / CF8M
3	STEM	STAINLESS STEEL 304 / 316
4	HANDLE	STAINLESS STEEL 304
5	SEAL RING	PTFE
6	COVER GASKET	PTFE

Dimensions in mm

DN	1/2"	3/4"	1"	1 ¼ "	1 ½ "	2"	2 ½ "	3"	4"
H	51	58	65	76	89	93	120	135	170
W	105	115	125	145	160	175	210	235	305
L	54	59	74	83	96	110	144	165	200