

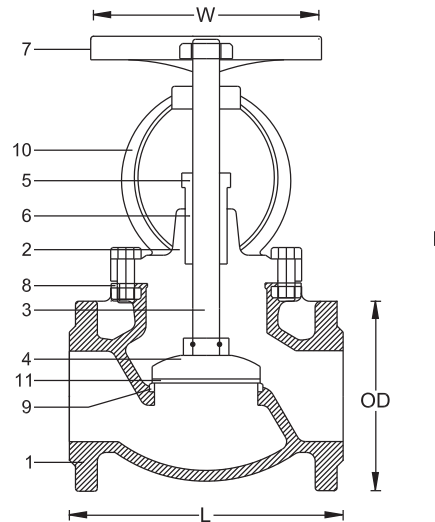


CLASS 600/900/1500/2500 CAST CARBON Steel GLOBE VALVE

Outside Screw & Yoke

STANDARDS	
DESIGN STANDARD	API 600
END CONNECTION	ANSI B16.5
END TO END	ANSI B 16.10
TESTING STANDARD	API 598

Applications: Regulation & Control of Oil and Gas, Hot and Cold Water, Fluids, Air, Steam, Raw and Sea Water



COMPONENT	SPECIFICATIONS
1 BODY	ASTM A216 Gr. WCB
2 BONNET	ASTM A216 Gr. WCB
3 STEM	ASTM A276 Type 403
4 DISC	CARBON STEEL + 13 Cr
5 GLAND	ASTM A182 Gr. F6a
6 GLAND PACKING	FLEXIBLE GRAPHITE
7 HAND WHEEL	ASTM A216 Gr. WCB
8 GASKET	GRAPHITE
9 BODY SEAT RING	CARBON STEEL + HARD FACING
10 YOKE	ASTM A216 Gr. WCB

***Dimensions will be provided on request.**

Note: butt welded ends can also be provided on demand.