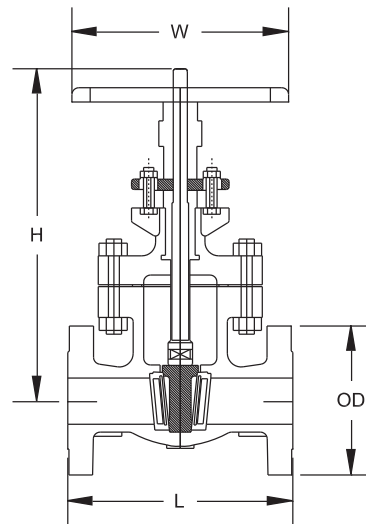


# CLASS 600/900/1500/2500 CAST CARBON STEEL GATE VALVE (Rising stem) Outside Screw & Yoke

STANDARDS	
DESIGN STANDARD	API 600
END CONNECTION	ANSI B16.5
END TO END	ANSI B 16.10 / API 6D
TESTING STANDARD	API 598

**Applications:** Regulation & Control of Oil and Gas, Hot and Cold Water, Fluids, Air, Steam, Raw and Sea Water



COMPONENT	SPECIFICATIONS
1 BODY	ASTM A216 Gr. WCB
2 BONNET	ASTM A216 Gr. WCB
3 STEM	ASTM A182 Gr. F6a
4 DISC	13 Cr / CARBON STEEL + 13 Cr
5 GLAND	ASTM A182 Gr. F6a
6 GLAND PACKING	FLEXIBLE GRAPHITE
7 GLAND FLANGE	ASTM A105 / A216 Gr. WCB
8 HAND WHEEL	DUCTILE IRON
9 NAME PLATE	ALUMINIUM
10 GASKET	GRAPHITE
11 BODY SEAT RING	CARBON STEEL + HARD FACING WITH CO-CR-W ALLOY
12 BONNET BUSHING	ASTM A182 Gr. F6a
13 YOKE SLEEVE	ASTM A439 Type D2

**\*Dimensions will be provided on request.**

Note: butt welded ends can also be provided on demand.