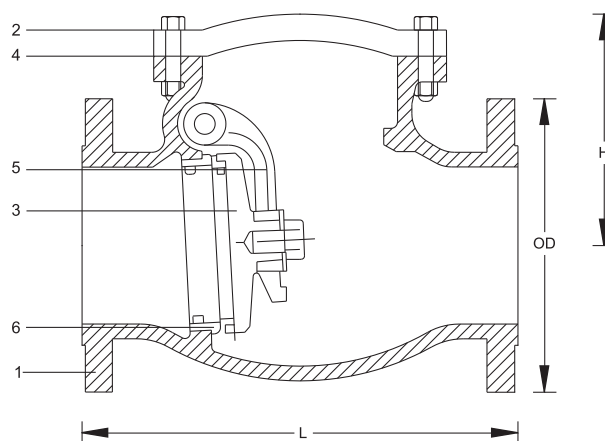


CLASS 600/900/1500/2500 CAST CARBON STEEL CHECK VALVE (Swing Type)

STANDARDS	
DESIGN STANDARD	API 600
END CONNECTION	ANSI B16.5
END TO END	ANSI B16.10 / API 6D
TESTING STANDARD	API 598

Applications: Regulation & Control of Oil and Gas, Hot and Cold Water, Fluids, Air, Steam, Raw and Sea Water



COMPONENT	SPECIFICATIONS
1 BODY	ASTM A216 Gr. WCB
2 COVER	ASTM A216 Gr. WCB
3 DISC	CARBON STEEL + 13 Cr
4 GASKET	GRAPHITE
5 ARM	ASTM A216 Gr. WCB
6 GAS SEAT RING	CARBON STEEL + HARD FACING

***Dimensions will be provided on request.**

Note: butt welded ends can also be provided on demand.