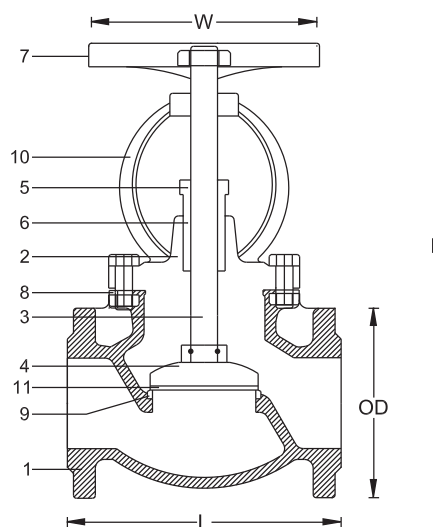


CLASS 300 CAST CARBON STEEL GLOBE VALVE

Outside Screw & Yoke

STANDARDS	
DESIGN STANDARD	API 600
END CONNECTION	ANSI B16.5, Class 300
END TO END	ANSI B 16.10
TESTING STANDARD	API 598

Applications: Regulation & Control of Oil and Gas, Hot and Cold Water, Fluids, Air, Steam, Raw and Sea Water



COMPONENT		SPECIFICATIONS
1	BODY	ASTM A216 Gr. WCB
2	BONNET	ASTM A216 Gr. WCB
3	STEM	ASTM A276 Type 403
4	DISC	CARBON STEEL + 13 Cr
5	GLAND	ASTM A182 Gr. F6a
6	GLAND PACKING	FLEXIBLE GRAPHITE
7	HAND WHEEL	ASTM A216 Gr. WCB
8	GASKET	GRAPHITE
9	BODY SEAT RING	CARBON STEEL + HARD FACING
10	YOKE	ASTM A216 Gr. WCB

Dimensions in mm

DN	50	65	80	100	125	150	200	250	300	350	400
L	267	292	318	356	400	445	533	622	711	838	864
OD	165	190	210	255	280	320	380	445	520	585	650
H	320	350	380	430	480	560	680	750	860	910	1050
W	102	102	130	130	145	145	205	205	230	230	290