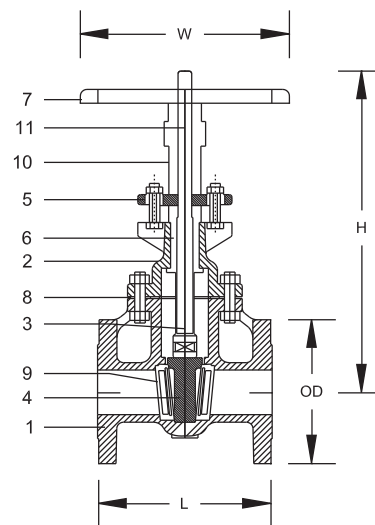


CLASS 300 DUCTILE IRON GATE VALVE

(Rising stem) Outside Screw & Yoke

STANDARDS	
DESIGN STANDARD	ANSI B16.10
END CONNECTION	ANSI B16.5 Class 300
END TO END	API 6D
TESTING STANDARD	API 598

Applications: Regulation & Control of Oil and Gas, Hot and Cold Water, Fluids, Air, Steam, Raw and Sea Water



COMPONENT	SPECIFICATIONS
1 BODY	FCD – S / ASTM A395
2 BONNET	FCD – S / ASTM A395
3 STEM	STAINLESS STEEL 420 / EN 1.4021
4 DISC	CARBON STEEL + 13Cr
5 GLAND	FCD – S / ASTM A395
6 GLAND PACKING	FLEXIBLE GRAPHITE
7 HAND WHEEL	FCD – S / ASTM A395
8 GASKET	GRAPHITE
9 BODY SEAT RING	SUS 403 / ASTM A276
10 YOKE	FCD – S / ASTM A395
11 YOKE SLEEVE	BRASS

Dimensions in mm

DN	50	65	80	100	125	150	200	250	300
L	216	241	283	305	381	403	419	457	502
OD	165	191	210	254	279	318	381	445	521
H	320	360	400	470	530	650	800	960	1150
W	200	200	230	250	250	290	290	400	480