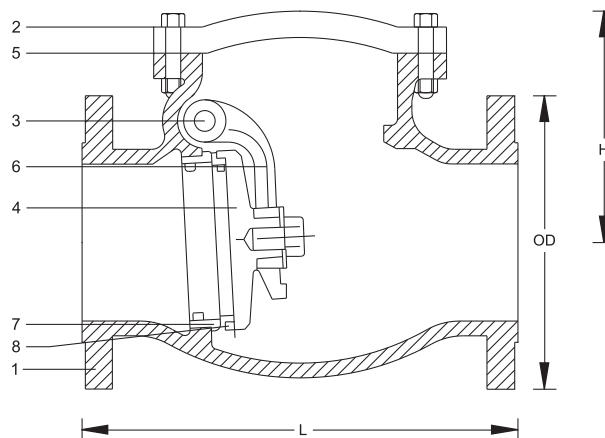


# CLASS 300 DUCTILE IRON CHECK VALVE

(Swing Type)

STANDARDS	
DESIGN STANDARD	ANSI B16.10
END CONNECTION	ANSI B16.5, Class 300
END TO END	API 6D / ANSI B16.10
TESTING STANDARD	API 598

**Applications:** Regulation & Control of Oil and Gas, Hot and Cold Water, Fluids, Air, Steam, Raw and Sea Water



COMPONENT	SPECIFICATIONS
1	BODY FCD – S / ASTM A395
2	COVER FCD – S / ASTM A395
3	HINGE PIN STAINLESS STEEL 420 / EN 1.4021
4	DISC FCD – S / ASTM A395
5	GASKET GRAPHITE
6	ARM FCD-S
7	BODY SEAT RING SUS 403 / ASTM A276
8	DISC SEAT RING STAINLESS STEEL 420 / EN 1.4021

Dimensions in mm

DN	40	50	65	80	100	125	150	200	250	300
L	241	267	292	318	356	400	444	533	622	711
OD	155	165	190	210	255	280	320	380	445	520
H	140	165	190	205	225	250	272	330	360	406