

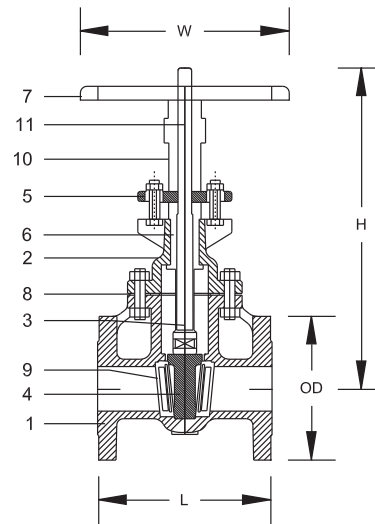


CLASS 300 CAST CARBON STEEL GATE VALVE

(Rising stem) Outside Screw & Yoke

STANDARDS	
DESIGN STANDARD	API 600
END CONNECTION	ANSI B16.5 Class 300
END TO END	ANSI B 16.10 / API 6D
TESTING STANDARD	API 598

Applications: Regulation & Control of Oil and Gas, Hot and Cold Water, Fluids, Air, Steam, Raw and Sea Water



COMPONENT	SPECIFICATIONS
1	BODY ASTM A216 Gr. WCB
2	BONNET ASTM A216 Gr. WCB
3	STEM ASTM A182 Gr. F6a
4	DISC CARBON STEEL + 13 Cr
5	GLAND ASTM A182 Gr. F6a
6	GLAND PACKING FLEXIBLE GRAPHITE
7	HAND WHEEL CARBON STEEL
8	GASKET GRAPHITE
9	BODY SEAT RING CARBON STEEL + HARD FACING
10	YOKE ASTM A216 Gr. WCB
11	YOKE SLEEVE BRASS

Dimensions in mm

DN	40	50	65	80	100	125	150	200	250	300	350	400	450	500	600
L	190	216	241	283	305	381	403	419	457	502	762	838	914	991	1143
OD	156	165	191	210	254	279	318	381	445	521	584	648	711	775	914
H	270	320	360	400	270	530	650	800	960	1150	1310	1500	1600	1770	2100
W	200	200	200	230	250	250	290	290	400	480	480	600	600	600	700