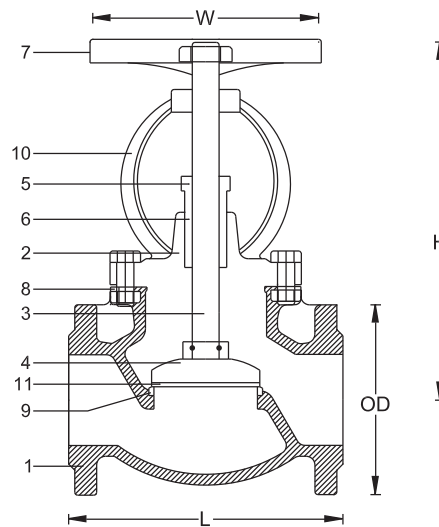


# CLASS 150 CAST CARBON STEEL GLOBE VALVE

Outside Screw & Yoke

STANDARDS	
DESIGN STANDARD	API 600
END CONNECTION	ANSI B16.5, Class 150
END TO END	ANSI B16.10 / MSS SP 85
TESTING STANDARD	API 598

**Applications:** Regulation & Control of Oil and Gas, Hot and Cold Water, Fluids, Air, Steam, Raw and Sea Water



COMPONENT	SPECIFICATIONS
1 BODY	ASTM A216 Gr. WCB
2 BONNET	ASTM A216 Gr. WCB
3 STEM	STAINLESS STEEL 420 / EN 1.4021
4 DISC	ASTM A216 Gr. WCB
5 GLAND	ASTM A216 Gr. WCB
6 GLAND PACKING	FLEXIBLE GRAPHITE
7 HAND WHEEL	ASTM A216 Gr. WCB
8 GASKET	NON ASBESTOS SHEET
9 BODY SEAT RING	STAINLESS STEEL 420 / EN 1.4021
10 YOKE	ASTM A216 Gr. WCB
11 DISC SEAT RING	STAINLESS STEEL 420 / EN 1.4021

Dimensions in mm

DN	50	65	80	100	125	150	200	250	300	350	400	450	500	600
L	203	216	241	292	330	356	495	622	699	787	864	978	978	1295
OD	152	178	191	229	254	279	343	406	483	533	597	635	698	813
H	320	350	380	430	480	560	680	750	860	910	1050	1550	1700	1870
W	102	102	130	130	145	145	205	205	230	230	290	380	490	490