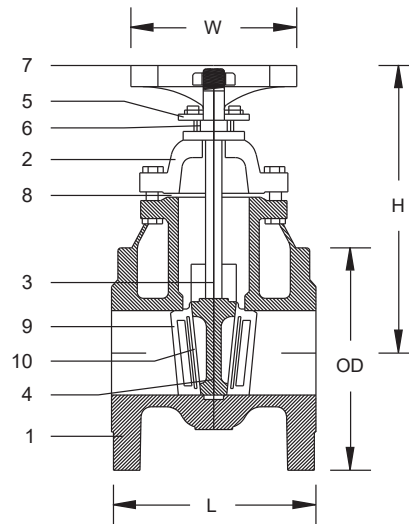


CLASS 125 CAST IRON GATE VALVE

(Non-Rising stem) Inside Screw

STANDARDS	
DESIGN STANDARD	ANSI B16.10
END CONNECTION	ANSI B16.1
END TO END	API 6D / JIS 10K / MSS SP 70
TESTING STANDARD	API 598

Applications: Regulation & Control of Oil and Gas, Hot and Cold Water, Fluids, Air, Steam, Raw and Sea Water



COMPONENT	SPECIFICATIONS
1 BODY	CAST IRON (A126 CLASS B)
2 BONNET	CAST IRON (A126 CLASS B)
3 STEM	STAINLESS STEEL 420 / EN 1.4021 BRONZE
4 DISC	For < 8" STAINLESS STEEL 420 / EN 1.4021 For > 8" CAST IRON (A126 CLASS B)
5 GLAND	CAST IRON / CARBON STEEL
6 GLAND PACKING	FLEXIBLE GRAPHITE
7 HAND WHEEL	CAST IRON / CARBON STEEL
8 GASKET	NON ASBESTOS SHEET
9 BODY SEAT RING	STAINLESS STEEL 420 / EN 1.4021 BRONZE
10 DISC SEAT RING	STAINLESS STEEL 420 / EN 1.4021 BRONZE

Dimensions in mm

DN	40	50	65	80	100	125	150	200	250	300
L	165	178	190	203	229	254	267	292	330	356
OD	130	150	180	190	230	255	280	345	405	485
H	250	290	325	360	400	480	530	575	700	765
W	150	150	175	175	200	200	225	225	250	300