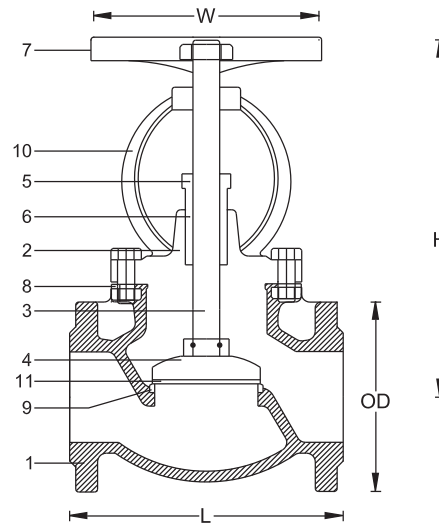


CLASS 125 CAST IRON GLOBE VALVE

Outside Screw & Yoke

| STANDARDS | |
|------------------|-------------------------|
| DESIGN STANDARD | ANSI B16.10 |
| END CONNECTION | ANSI B16.1, Class 125 |
| END TO END | ANSI B16.10 / MSS SP 85 |
| TESTING STANDARD | API 598 |

Applications: Regulation & Control of Oil and Gas, Hot and Cold Water, Fluids, Air, Steam, Raw and Sea Water



| COMPONENT | | SPECIFICATIONS | |
|-----------|----------------|---------------------------------|--------|
| 1 | BODY | CAST IRON (A126 CLASS B) | |
| 2 | BONNET | CAST IRON (A126 CLASS B) | |
| 3 | STEM | STAINLESS STEEL 420 / EN 1.4021 | BRONZE |
| 4 | DISC | CAST IRON (A126 CLASS B) | |
| 5 | GLAND | CAST IRON (A126 CLASS B) | |
| 6 | GLAND PACKING | FLEXIBLE GRAPHITE | |
| 7 | HAND WHEEL | CAST IRON (A126 CLASS B) | |
| 8 | GASKET | NON ASBESTOS SHEET | |
| 9 | BODY SEAT RING | STAINLESS STEEL 420 / EN 1.4021 | BRONZE |
| 10 | YOKE | CAST IRON (A126 CLASS B) | |
| 11 | DISC SEAT RING | STAINLESS STEEL 420 / EN 1.4021 | BRONZE |

Dimensions in mm

| DN | 50 | 65 | 80 | 100 | 125 | 150 | 200 | 250 | 300 | 350 | 400 | 450 | 500 | 600 |
|----|-----|-----|-----|-----|-----|-----|-----|-----|-----|-----|------|------|------|------|
| L | 203 | 216 | 241 | 292 | 330 | 356 | 495 | 622 | 699 | 787 | 864 | 978 | 978 | 1295 |
| OD | 152 | 178 | 191 | 229 | 254 | 279 | 343 | 406 | 483 | 533 | 597 | 635 | 698 | 813 |
| H | 320 | 350 | 380 | 430 | 480 | 560 | 680 | 750 | 860 | 910 | 1050 | 1550 | 1700 | 1870 |
| W | 102 | 102 | 130 | 130 | 145 | 145 | 205 | 205 | 230 | 230 | 290 | 380 | 490 | 490 |