

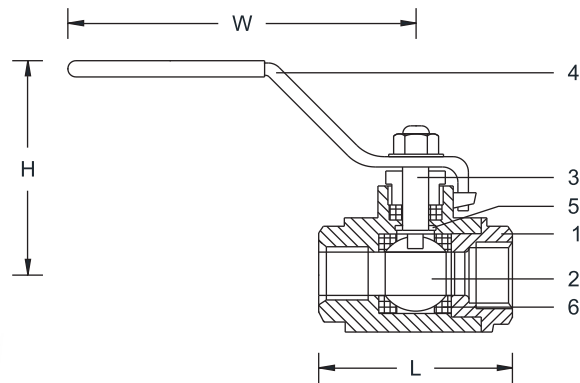
2 PIECE THREADED BALL VALVE

1000 PSI / PN 63

Full Bore

STANDARDS	
THREAD STANDARD	ASME B 1.20.1

Applications: Regulation & Control of Oil and Gas, Hot and Cold Water, Fluids, Air, Steam, Raw and Sea Water



COMPONENT		SPECIFICATIONS
1	BODY	CF8 / CF8M
2	BALL	CF8 / CF8M
3	STEM	STAINLESS STEEL 304/316
4	HANDLE	STAINLESS STEEL 304
5	SEAL RING	PTFE
6	COVER GASKET	PTFE

Dimensions in mm

DN	1/4"	3/8"	1/2"	3/4"	1"	1 ¼"	1 ½"	2"	2 ½"	3"	4"
H	48	48	52	61	65	79	83	97	135	144	166
W	103	103	103	123	123	153	153	185	243	243	295
L	55	60	75	80	90	110	120	140	185	205	240